

UNIVERSAL
KNOPF
HALBRUND
404/01/15
Item No. 12404014

SEIFOMAT®
SEIFENSPENDER

PRODUCT FEATURES

Table soap dispenser brass chromium plated,
solid reciprocating piston pump

- outlet: 150 mm
- bore diameter: 21-28 mm
- brass chromium plated
- for the installation in washing stands
- to be filled from the top
- burglar-proof due to hexagon socket screw



Accessories:

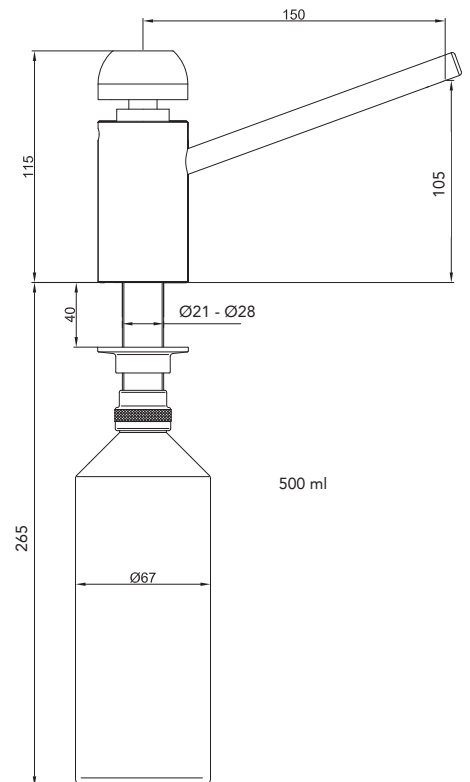
- liquid soap Seifomild Zero®
0,5 ltrs. / 1 ltrs. / 5 ltrs. / 10 ltrs.
(microplastic-free, chlorine-free,
dermatologically tested)
- container sizes: 500 / 1.000 ml
- stainless steel container: 450 ml
- repair kit big / small
- complete interior set
- press button
- fastening set
- bottle nut with valve
- hexagon spanner: 3 mm
- hose line
- bottom valve / hose extension kit
- filling funnel
- fixing for 5 litre-container (stainless steel)
- washer \varnothing 50 mm,
drilling diameter: 21-35 mm
- washer \varnothing 60 mm,
drilling diameter: 21-35 mm

Proposal for tender offer:

Table soap dispenser, brass chromium plated,
burglar-proof, to be filled from the top, for the
installation in washing stands. With soap dish,
content 500 ml / 1.000 ml.
outlet: 150 mm

Item No.

12404014 / Seifomat® Universal Knopf
halbrund 404/01/15



Fritz Ostermann GmbH

Gottlieb-Daimler-Str. 24
59439 Holzwickede

Fon +49 (0) 2301-91940-0
Fax +49 (0) 2301-91940-20

info@seifomat.de
www.seifomat.de